

*Instrumentation designed
with the user in mind.*

MAGNETIC COUPLED LEVEL TRANSMITTERS

- ◆ Boilers
- ◆ Chemicals
- ◆ Food Processing
- ◆ Petrochemicals
- ◆ Power Plants
- ◆ Pulp & Paper
- ◆ Water & Wastewater

ADVANTAGES

- Two-Wire Loop Powered 4-20 mA output
- Unaffected by specific gravity changes
- Functions with pressures of up to 425 psi
- Measures levels up to 12 feet
- Resolution 0.25 inches
- Aluminium or Polypropylene housing
- Wetted parts ~ Stainless Steel or Plastic

Princo's MagneLevel™ Level Transmitter" is comprised of the float, the sensing rod and a 2-wire transmitter unit.

As the float rises or lowers due to changes in liquid level, the sensing rod produces a resistance output, directly proportional to the liquid level.

The two wire MagneLevel™ transmitter converts this resistance into a 4 to 20 mA signal.



The Princo MagneLevel™ transmitter is a magnetic coupled level-sensing instrument that offers a low cost process control alternative to those expensive magnetostrictive sensors currently on the market.

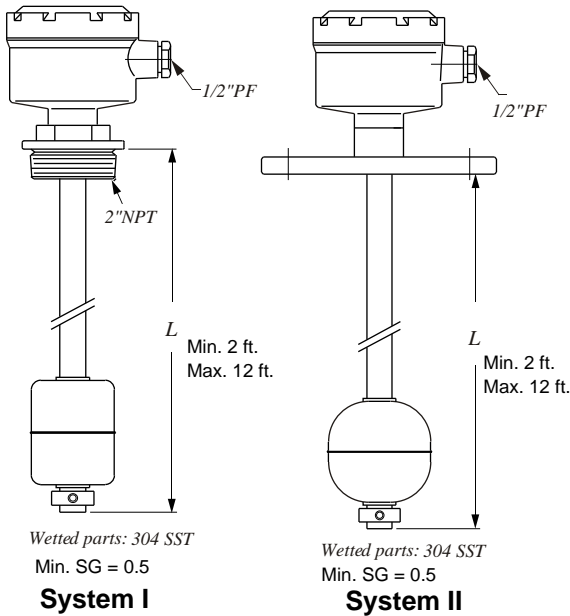
Specifications

Two-Wire MagneLevel™ LML

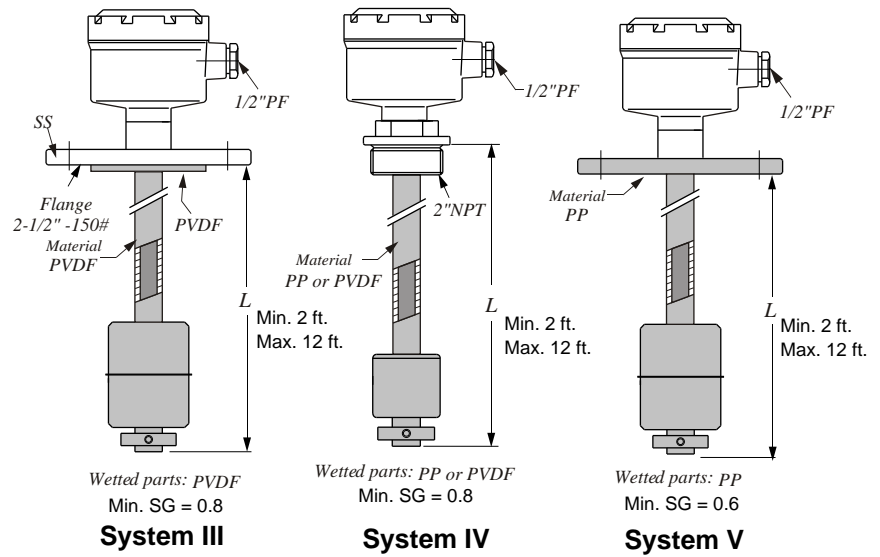
Terminal Housing: Aluminum, IP65
Output: 4~20mA, 2-wire
Operating Temp.: -4 °F ~ 248 °F
Ambient Temp.: 140 °F

Terminal Housing: PP +Fiber, IP65
Output: 4~20mA, 2-wire
Ambient Temp.: 140 °F
Operating Temp.: PP jacket tube 14 °F ~ 176 °F
 PVDF jacket tube -4 °F ~ 248 °F

B type housing (Aluminum) NEMA 4X

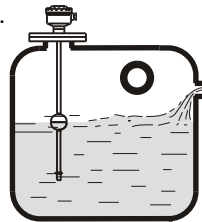


C type housing (Polypropylene fiber) NEMA 4X

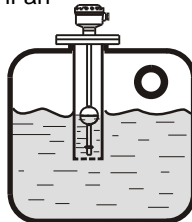


Installation Tips

The MagneLevel transmitter should be mounted away from liquid inlet, as liquid fluctuation could produce an error in the output signal.



A stilling well or equivalent device should be installed to normalize the transmitter's output signal if an agitator is used in the application.



ELECTRONICS

Supply Voltage : 12~36V
 Input : 2MΩ
 Output : 4~20mA
 Adjustable Range : 10%
 Operation Temp. : -4 °F ~ 176 °F
 Load Resistance : less than 600Ω
 Output Resolution : 0.25 inches

WARRANTY

The PRINCO MagneLevel transmitter is backed by a 1-year warranty. PRINCO will repair or replace, at our option, any instrument that fails under normal use for up to 1 years after purchase.

PRINCO™

Copyright Princo Instruments, Inc.2005

Issue 10/14/05

PRINCO INSTRUMENTS, INC.
 1020 Industrial Highway, Southampton, PA 18966-4095, U.S.A.
 800-221-9237 ~ (215) 355-1500 ~ FAX (215) 355-7766
www.PrincoLevelControls.com