

*Instrumentation designed  
with the user in mind.*

*Narrow Beam Technology*

## ULTRASONIC LEVEL TRANSMITTERS

for  
**LIQUIDS**

- ◆ Breweries
- ◆ Chemicals
- ◆ Food Processing
- ◆ Pharmaceuticals
- ◆ Power Plants
- ◆ Pulp & Paper
- ◆ Water & Wastewater



## ADVANTAGES

- Simple push-button programming
- 4 to 20ma PLUS programmable relay outputs
- 32-point linearization
- 2 x Fixed target suppression
- Built-in temperature sensor provides:
  - full range compensation
  - process temperature indication
- Several operating modes:

**Basic:** Simple start up and 4/20 mA programming using a supplied magnet

**Sophisticated:** Using the plug-in programming module which includes a 5 digit custom LCD display, the operator can choose between a menu driven QUICKSET, full parameter programming or a simple calibration of the analog output.

**Digital:** For remote information transfer and programming: HART is an available option.

**SmartSonic™** is Princo's new line of **SMART** level transmitters incorporating the unique narrow beam technology, combined with (optional) HART communication protocol.

**SmartSonic™** compact transmitters include field proven innovative advanced, process adaptive signal processing software to identify and validate the surface signal.

**Princo's SmartSonic™** utilizing innovative patented technology, is the best ultrasonic level measurement system on the market today.

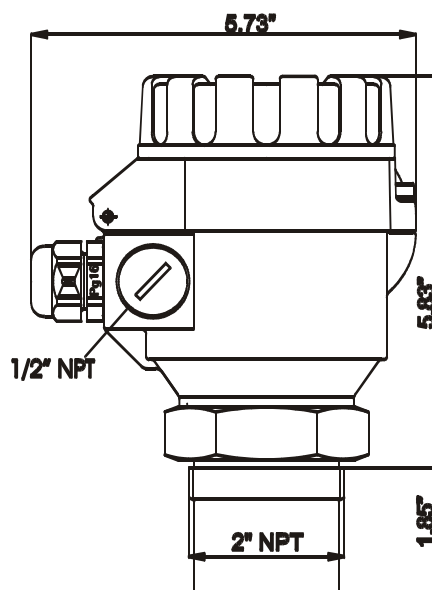
*The only*

**10 Year  
Warranty**

*The longest in the industry!*

# Series L4660 Specifications

Product name	SmartSonic L4660 series
Product description	Compact SMART narrow beam ultrasonic level transmitter
Transducer materials	Polypropylene (PP) Kynar (PVDF), Teflon (PTFE) or Stainless Steel (316Ti) (optional)
Housing material	Plastic: PBT fiber-glass reinforced, Aluminum: Powder paint coated (optional)
Process temperature	PP, PVDF, PTFE versions: -22 °F - 194 °F Stainless Steel versions: -22 °F - 212 °F (CIP 248°F for max. 2 hours)
Ambient temperature	-22°F - 140°F
Pressure (Absolute.)	4.41 PSIG – 44 PSIG (0.3 to 3 bar ) (0.03 to 0.3MPa)
Seals	PP version: EPDM; All other versions: FKM (Viton)
Mechanical protection	Sensor: NEMA 4X Housing: NEMA 4X
Power supply / Consumption	AC version: 85 to 255 VAC / 6 VA DC version: 10.5 to 40 VDC / 3.6 W
Accuracy	±0.2% of target distance ±0.05% of range*
Resolution	<6.5': 0.039", 6.5' - 16.5': 0.079", 16.5 - 33': 0.197", >33': 0.394"
Outputs	Analog: 4 -20 mADC, Relay: SPDT relay, 250 VAC, 3A; HART (optional)








MODEL SSB/SST-38 DIMENSIONS

## PROGRAMMING MODULE

Local Display	Custom LCD 6 digits plus icons and bar graph
Ambient temperature	-13-140°F
Housing material	PBT glass-glass reinforced plastic

### 10-YEAR WARRANTY

All PRINCO level control instruments are backed by a 10-year warranty. PRINCO will repair or replace, at our option, any instrument that fails under normal use for up to 10 years after purchase.

Model L4660 SmartSonic™ Narrow Beam Ultrasonic					
Type	SB/ST - 38	SB/ST - 37	SB/ST - 36	SB/ST - 34	SB/ST - 32
Range	20 ft (6 m)	26 ft (8 m)	33 ft (10 m)	50 ft (15 m)	82 ft (25 m)
Dead band	10" (0.25 m)	14" (0.35 m)	14" (0.35 m)	16" (0.4 m)	2 ft (0.6 m)
Total beam angle	5°	5°	6°	5°	6°
Process connection	2" thread	2" thread	Flange	Flange	Flange
Ingress protection	Sensor: NEMA 4X & 6, Housing: NEMA 4				
Materials	Sensor: PP, PE, PVDF, PTFE or 316 SS Ti Housing: Plastic or Powder paint coated die-cast Aluminium				
Process temperature	-22°F to 194°F (-30°C to +90°C) (flush flange mounting St. st. sensors are suited for CIP)				
Supply	4 -wire versions: 80 to 255 V AC or 24 V AC/DC				
Outputs	4/20 mA, Rs485, HART, Relay (SPDT)				

**PRINCO**

1020 Industrial Highway  
Southampton, PA 18966-4095, U.S.A.  
(800) 221-9237 ~ (215) 355-1500  
FAX (215) 355-7766  
[www.PrincoLevelControls.com](http://www.PrincoLevelControls.com)

Copyright Princo Instruments, Inc.2003 - 2006  
Revised 9-25-06

