

*Instrumentation designed
with the user in mind.*

ULTRASONIC LEVEL TRANSMITTERS for **POWDERS and BULK SOLIDS**

Carbon Black
Cement - Lime - Sand
Coal - Coal Powder
Flour - Sugar
Fly Ash
Grain Silos
Plastic Pellets - Powders

ADVANTAGES

- Simple push-button programming
- 4 to 20ma PLUS programmable relay outputs
- 32-point linearization
- 2 x Fixed target suppression
- Built-in temperature sensor provides:
 - full range compensation
 - process temperature indication
- Several operating modes:

Basic: Simple start up and 4/20 mA programming using a supplied magnet

Sophisticated: Using the plug-in programming module which includes a 5 digit custom LCD display, the operator can choose between a menu driven QUICKSET, full parameter programming or a simple calibration of the analog output.

Digital: For remote information transfer and programming: HART is an available option.

Narrow Beam Technology



SmartSonic™ is Princo's new line of **SMART** level transmitters incorporating the unique narrow beam technology, combined with (optional) HART communication protocol.

SmartSonic™ compact transmitters include field proven innovative advanced, process adaptive signal processing software to identify and validate the surface signal.

Princo's SmartSonic™ utilizing innovative patented technology, is the best ultrasonic level measurement system on the market today.

The only

10 Year Warranty

The longest in the industry!

Series L4660 Specifications

STG-31J

STD-33J

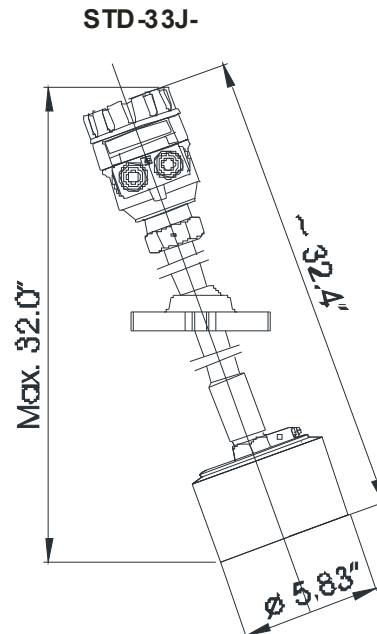
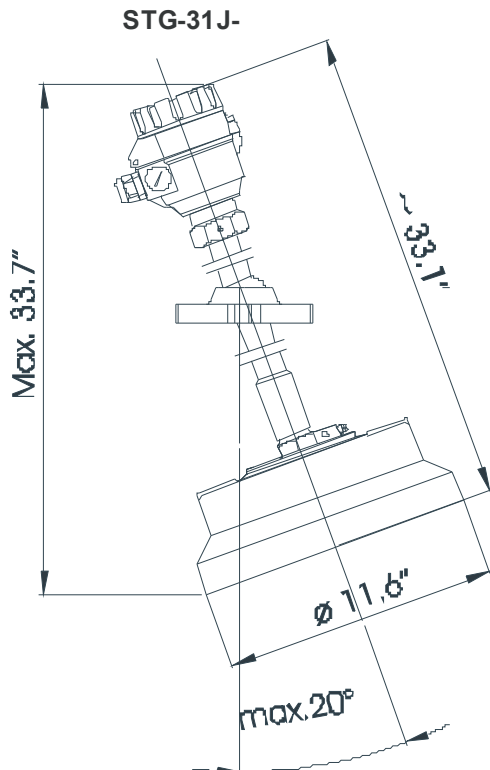
Application	Medium to Tall Silos containing Powders or Granular materials	Medium sized Silos containing Powders or Granular materials
Measurement Range	Up to 197 feet	Up to 98 feet
Frequency	15 KHz	30 KHz
Total beam angle @ -3dB	5°	5°
Process Temperature	-22 °F to +167 °F	-22 °F to +167 °F
Mounting	Aimer with various flanges available	Aimer with various flanges available
Enclosure Sensor Housing	NEMA 4X & 6 NEMA 4	NEMA 4X & 6 NEMA 4
Sensor Materials	Painted coated Aluminum with Unique Foam Face	Painted coated Aluminum with Unique Foam Face
Supply Voltage (3/4-wire versions)	AC version: 85 to 255 VAC / 6 VA DC version: 10.5 to 40 VDC / 3.6 W	AC version: 85 to 255 VAC / 6 VA DC version: 10.5 to 40 VDC / 3.6 W
Outputs	Analog 4 to 20 mA isolated Relay SPDT 250 VAC @ 3 A Digital HART® protocol (optional)	Analog 4 to 20 mA isolated Relay SPDT 250 VAC @ 3 A Digital HART® protocol (optional)

PROGRAMMING MODULE

Local Display	Custom LCD 6 digits plus icons and bar graph
Ambient temperature	-13-140°F
Housing material	PBT glass-glass reinforced plastic

10-YEAR WARRANTY

All PRINCO level control instruments are backed by a 10-year warranty. PRINCO will repair or replace, at our option, any instrument that fails under normal use for up to 10 years after purchase.



PRINCO™

1020 Industrial Highway
Southampton, PA 18966-4095, U.S.A.
(800) 221-9237 ~ (215) 355-1500
FAX (215) 355-7766
www.PrincoLevelControls.com

Copyright Princo Instruments, Inc. 2004 - 2005
Revised 10/11/05

