

Instrumentation designed  
with the user in mind.

**Frequency plus Amplitude  
Unprecedented Performance  
Very ECONOMICAL Price**

**Level Switch  
Dual Mode Resonance  
Sensing Technology**

**IDEAL for**

- ◆ Chemicals
- ◆ Food & Beverages
- ◆ OEM's
- ◆ Plastics
- ◆ Power Generation
- ◆ Petrochemicals
- ◆ Pulp & Paper
- ◆ Water Treatment

**LOW  
PRICE**



The Princo *Resonator™* level switch utilizes dual mode resonance sensing technology to establish and maintain time resonance generated from its low energy compact electronic circuitry.

When the material level reaches the resonating tines, it produces a change in the resonance pattern. This change is sensed by the sophisticated electronics which activates the output signal.

Unaffected by viscosity, foam, conductivity, dielectric, suspended solids, bubbles and/or turbulence, the *Resonator™* level switch is ideal for a variety of liquid or free flowing granules or powder level applications, including: run-dry protection, fill/dump control and vessel overflow.

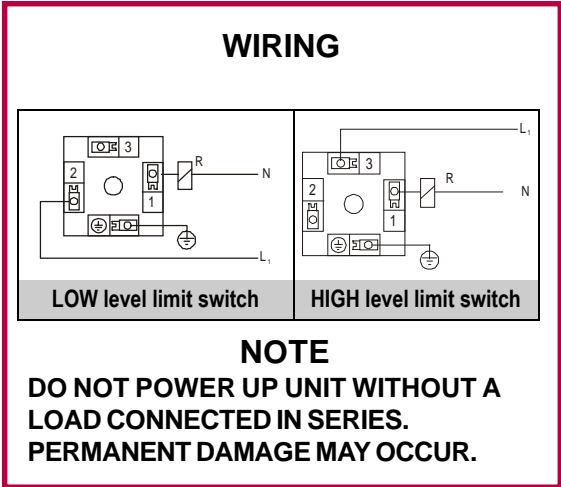
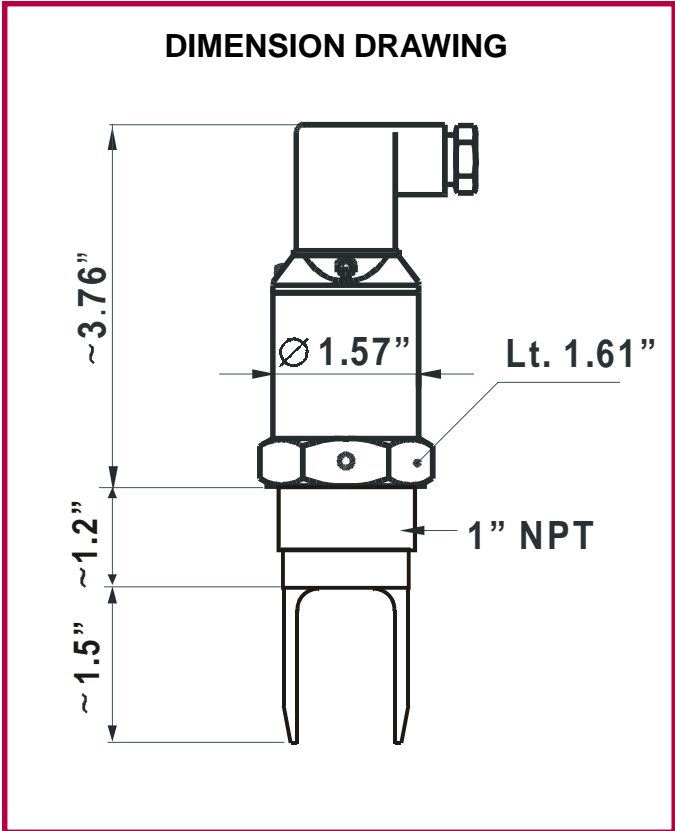
**ADVANTAGES**

- Easy Installation
- No Calibration - Ever
- Maintenance Free
- Polished 316 SS Sensor
- Standard 1" NPT Mounting
- Status Indication (Bi-color LED)
- Dielectric Change Insensitive
- Small Rugged Construction

# Specifications

## Resonator™ Model L3550

<b>Type</b> Dual mode Resonance Sensing Technology Point Level Switch	<b>Output</b> Serial connection w/load 20 to 255 VAC 50/60HZ	<b>Temperature</b> Liquid -40 to +266 °F Ambient -40 to +158 °F
<b>Repeatability</b> ±0.04 inches	<b>Output Mode Indicator</b> Bi-color LED Red - Absence Green Presence	<b>Pressure</b> Maximum 580 psi (40 bar)
<b>Response Time</b> When immersed 0.5 secs. When free < 1 sec.	<b>Sensor</b> 316 Stainless Steel 1" NPT mounting	<b>Enclosure</b> NEMA 4X



**WARRANTY**

All Resonator™ level switches are backed by a full 1-year warranty.

PRINCO will repair or replace, at our option, any instrument that fails under normal use for a full year from the date of purchase.



**PRINCO™**

PRINCO INSTRUMENTS, INC.  
 1020 Industrial Highway  
 Southampton, PA 18966-4095, U.S.A.  
**800-221-9237**  
 (215) 355-1500 ~ FAX (215) 355-7766

Copyright Princo Instruments, Inc.2002