

*Instrumentation designed
with the user in mind.*



NULL-KOTE™ Self-Diagnostic Analog Level Transmitter

*Electronic, RF Impedance sensing,
with the innovative NULL-KOTE™ system,
which ignores product build-up on the probe*

Features

Widest Range of Applications –
the ideal two-wire level transmitter, it will operate in conjunction with process materials which range from low dielectric (insulating) products, such as refined oils, to conductive slurries; even sticky materials that tend to cling to the sensor.

NULL-KOTE™ Circuitry –
Makes the sensor immune to adverse effects of conductive coating build up.

Designed to Survive –
RF immune, vibration-proof, and conformal coated (tropicalized) circuit boards for additional protection – at no extra cost.

Ten-Year Warranty –
The only level instruments available with this unique assurance of quality.

Wide Temperature Range –
Standard process temperature range: -300 to + 500 F (-184 to + 260 C)

Explosion-Proof/Weatherproof Housing Standard–

Class I, II, III, Div.1,
Groups C, D, E, F, & G; NEMA 4X

Factory Precalibrated –
Field calibration, if needed, is quick and easy. No interaction between span and zero.

Easy to Install –
Probe and electronics install as single unit. No cable, delicate connectors, or separate enclosure.

Built-In Self Diagnostics –
provides assurance that the system is working properly.

Easy-On Probe Connection –
Automatically provides simple, fast installation and reliable operation without wires, connectors, or terminal strips. Simply screw probe into the housing.

Description

PRINCO's L2610 NULL-KOTE™ analog RF level transmitter can be used to measure the level of virtually any process material, from low dielectric (insulating) products, such as refined oils, to conductive slurries – even viscous materials that cling to the probe.

Advanced NULL-KOTE™ circuit design means accurate readings even when conductive materials build up on the probe. Superior temperature stability and noise immunity, conformally coated circuit boards, self-diagnostics and factory precalibration means accurate, reliable, easy-to-install level instrumentation.

The L2610's 4-20 mA dc output signal is proportional to the process level. Zero and span adjustments are non-interacting. Our Easy-On probe gives you reliable, automatic connection when the probe is screwed into the electronics housing.

The need for continuous level measurement is nearly universal in the process industries. Today's processing plants must operate at peak efficiency, minimize labor and material costs, insure on-time delivery of product and eliminate spills of even marginally hazardous materials.

Accurate, reliable, continuous level measurement is a vital part of their operation.

In millions of installations, spanning more than 85 years of experience, PRINCO process instruments have provided accurate, dependable, long lived service for all types of industries.

*The only
10 Year Warranty
The longest in the industry!*

L2610 Specifications

Type

Self-diagnostic, NULL-KOTE™, RF Impedance sensing, level to current transmitter.

Span Range

From 20 pF to 40,000 pF. Probe lengths from 1 inch to 150 feet, depending upon application.

Output Signal

4 to 20 mA dc.

Power Requirements

Standard Models:
95/135 VAC, 50-60 HZ, 5 Watts
22/27 VDC, 2.2 Watts

Optional Model:

230 VAC

Operating Temperature Range

-30 to 150°F (-34 to 66°C)

Temperature Stability

±0.015% per 1°F

Linearity/Accuracy

±0.5% typical

Repeatability

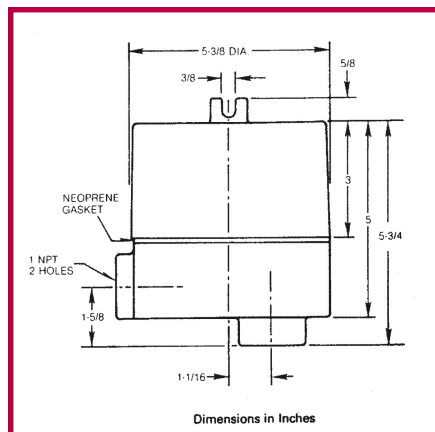
±0.1%

Remote Mounting

Consult factory.

Electronics Housing

Explosion-proof
Class I, II, III, Div. 1,
Groups C, D, E, F, & G
NEMA 4X



NOTE:

Explosion-proof cases must be installed to satisfy National Electrical Code, Section 501, and applicable local codes.

Probes

Probes used with the L2610 are designated as the L100 Series.

A variety of types and construction materials are available: flexible (cable type) or rigid, heavy or light duty Teflon™ or Kynar™ sheathing, NPT hub or flanged mounted, single or dual construction.

All probes are manufactured to the exact length required.

MODEL NO.	ELEMENT CONFIGURATION	TYPE	VESSEL CONNECTION	INSULATION OPTIONS
L101	Single	Rigid	1" NPT	B, KP, KS, TP, TS
L104	Single	Rigid	1", 2", 3" OR 4" TRI-CLAMP™	B, KP, KS, TP, TS
L102	Dual Concentric	Rigid	1½" NPT	B, KP, KS, TP, TS
L107	Dual Concentric	Rigid	1" NPT	B, KS, TP, TS
L109	Single	Flexible	1" NPT	KW, TW
L113	Dual Parallel	Flexible	1" NPT	KW, TW
L115	Dual Parallel	Flexible	3" Flange	KW, TW
L116	Dual Parallel	Flexible	3" Flange	KW, TW
L127	Dual Parallel	Rigid	3" Flange	B, KP, KS, TP, TS
L128	Dual Parallel	Rigid	3" Flange	KP, KS, TP, TS

KP = Kynar® Pipe (60 mil Kynar over carbon steel)
KS = Kynar Sheath (17 mil Kynar over 316 SS rod)
KW = Kynar Wire (20 mil Kynar over 316 SS wire rope)

B = Bare (No insulation)
TP = Teflon® Pipe (60 mil PFA Teflon over 316 SS rod)
TS = Teflon Sheath (17 mil Teflon over 316 SS rod)
TW = Teflon Wire (12 mil Teflon over copper wire)

10-YEAR WARRANTY

All PRINCO level control instruments are backed by a 10-year warranty. PRINCO will repair or replace, at our option, any instrument that fails under normal use for up to 10 years after purchase.

Model Number	Probe	Pressure Rating (PSI) at Temperature Indicated (°F)						
		-300	40	100	250	300	400	500
L101, L102, L104, L107, L109, L113	Teflon or Bare	1250	1250	1250	550	450	350	0
	Kynar	N/A	1000	1000	250	0	N/A	N/A
L115, L116, L127, L128	Teflon or Bare	275 ¹	275 ¹	275 ¹	225 ¹	210 ¹	180 ¹	0
	Kynar	N/A	275 ¹	275 ¹	225 ¹	0	N/A	N/A

1. Rating of Carbon Steel 150 lb. flange. For higher ratings, consult factory.

PRINCO

PRINCO INSTRUMENTS, INC.
1020 Industrial Highway
Southampton, PA 18966-4095, U.S.A.
(215) 355-1500 ~ FAX (215) 355-7766
800-221-9237

Copyright Princo Instruments, Inc.2003